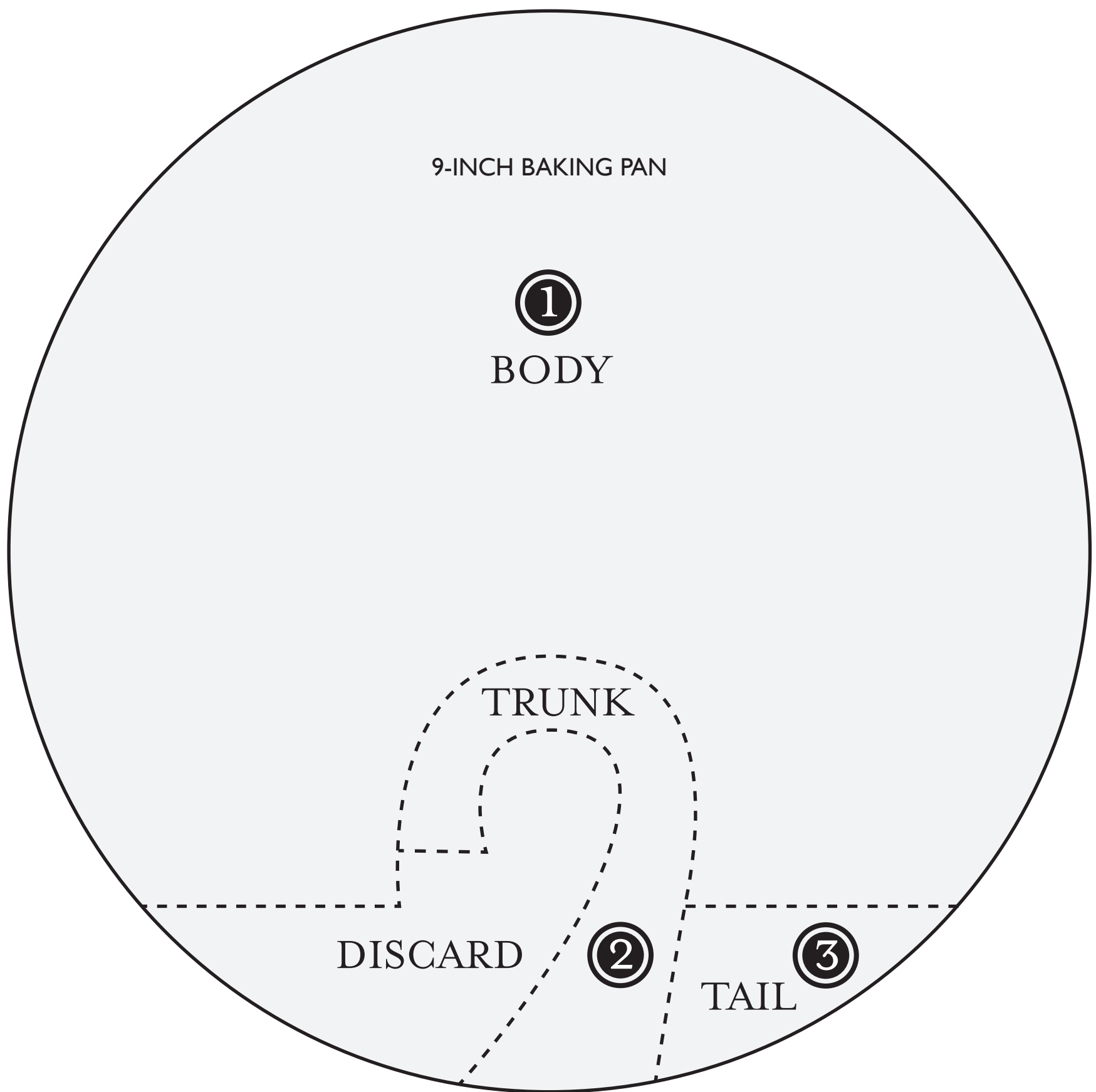


Elephant Cake Template

Betty Crocker®

(Print on 11 x 17-inch paper and apply to cooled or frozen cake.)



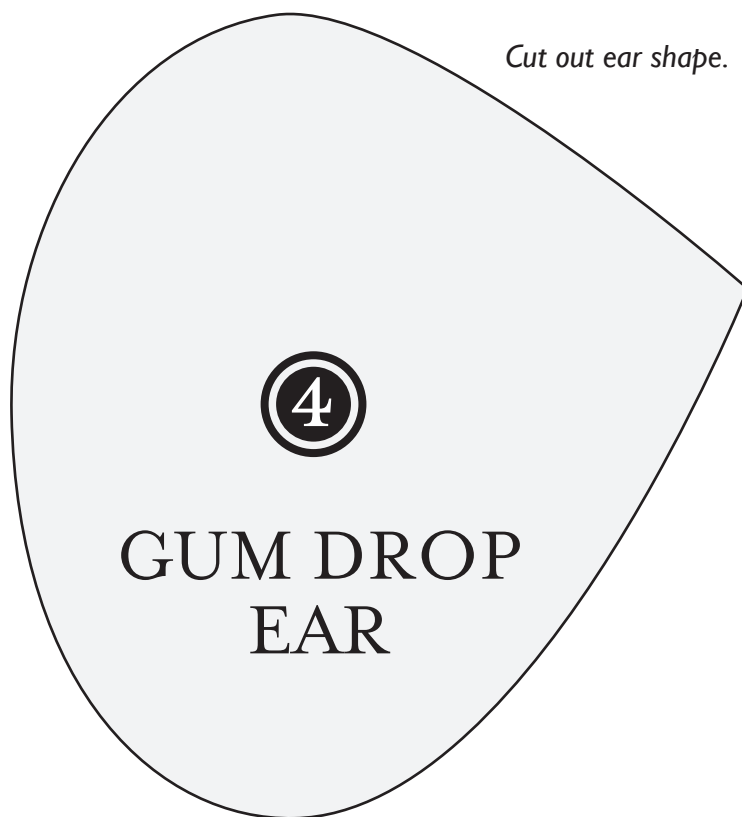
Elephant Cake Template

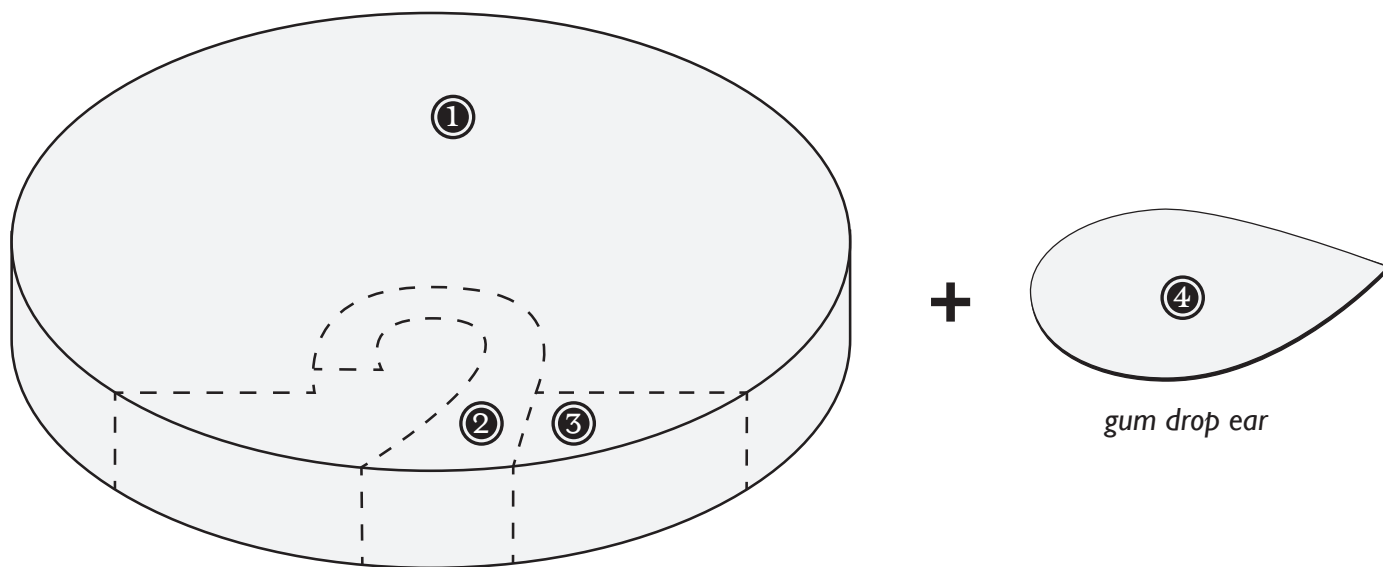
Betty Crocker®

(Print on 8 1/2 x 11-inch paper and apply to cooled or frozen cake.)

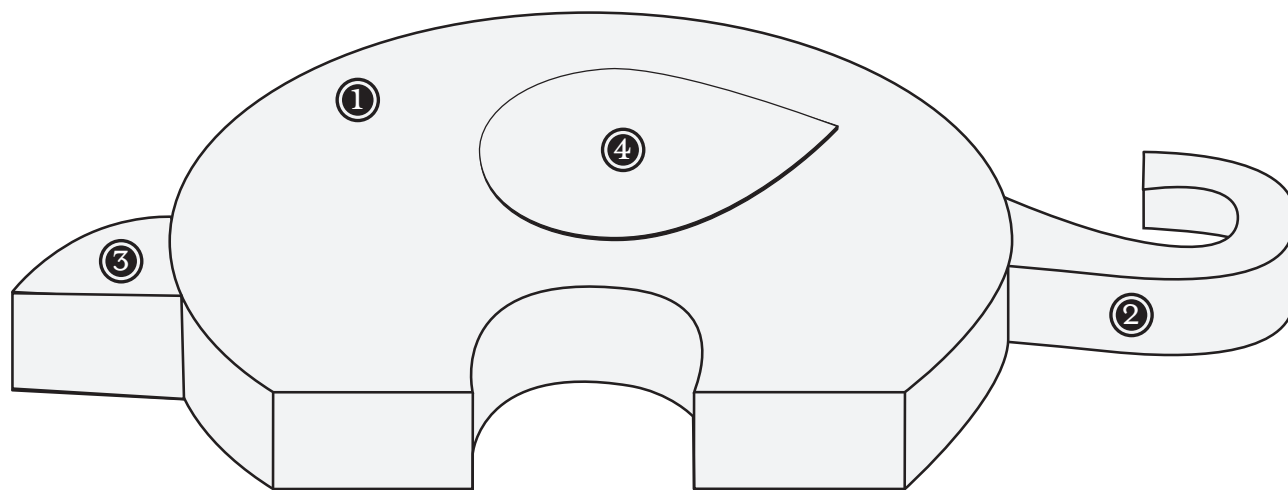
Roll out 2 large gum drops into a thin sheet.

Cut out ear shape.





Cut 9-inch cake for body, trunk and tail.



Arrange pieces on tray to form elephant.