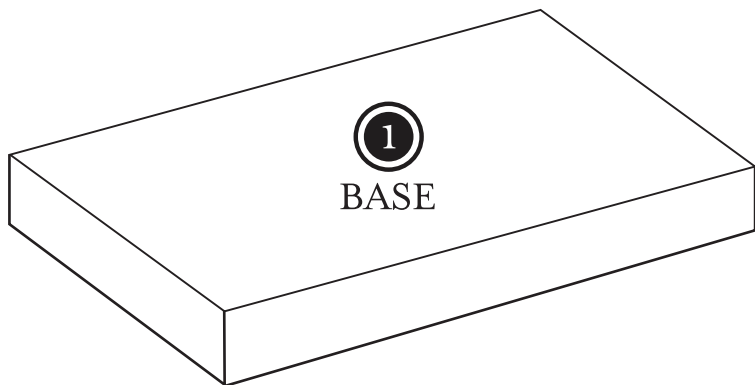
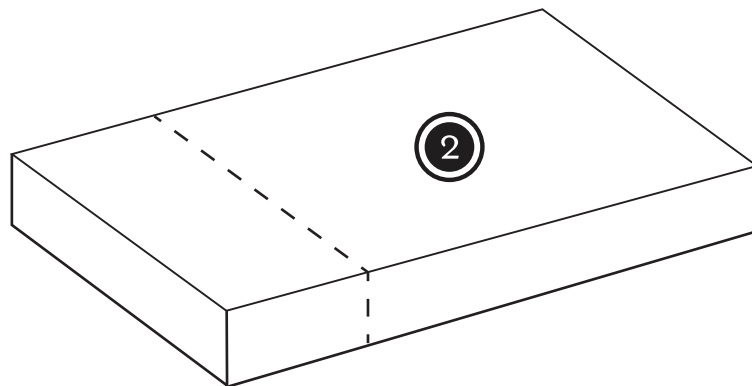


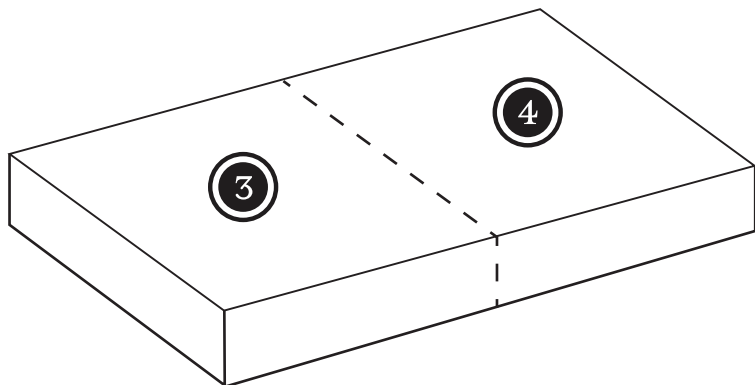
Fire Engine Cake Assembly



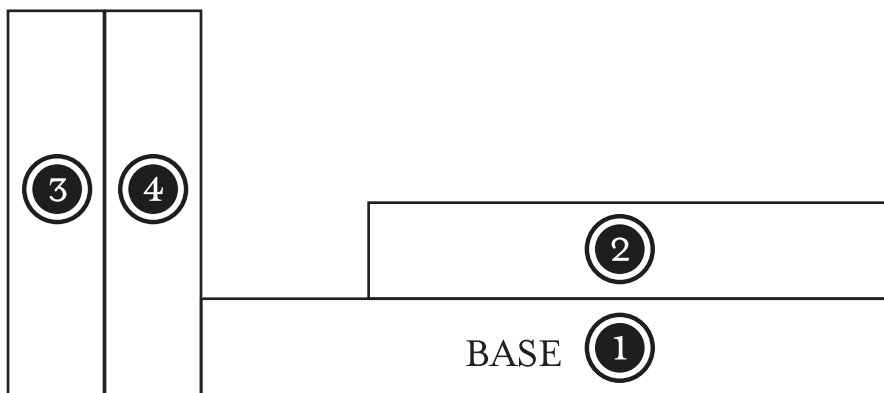
Place one 8x4-inch cake on serving tray. This is the base.



Take a second 8x4-inch cake, and cut and discard two inches off the end.



Take the third 8x4-inch cake and cut in half.



Arrange pieces to form fire engine.